



# RS2010CT-1000GN-2T-02



WWW.BARRYIND.COM

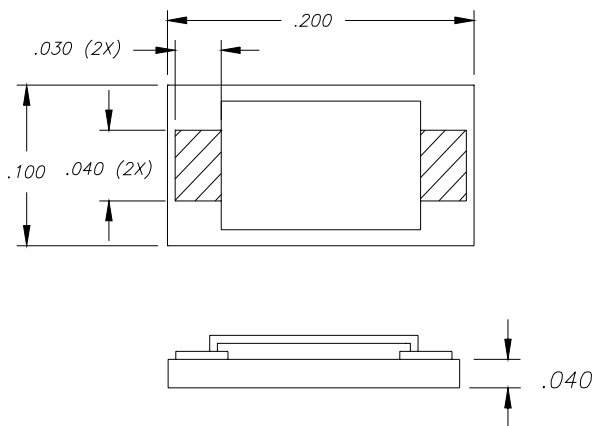
## Aluminum Nitride 100 Ohm CHIP RESISTOR

### Features:

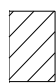
- ◆ Aluminum Nitride Material
- ◆ 20 Watt Input Power
- ◆ Flip Chip Configuration
- ◆ CT - Matte Tin over Nickel over Silver

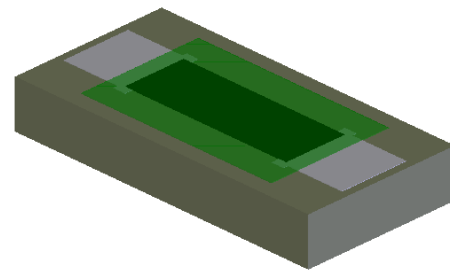
### General Description:

The RS2010CT-1000GN-2T-02 is an Aluminum Nitride 100 ohm flip chip resistor. It has an input power of 20 watts, while maintaining a constant mounting surface temperature of 100° C. Its compact size is ideal for miniature electronic components.

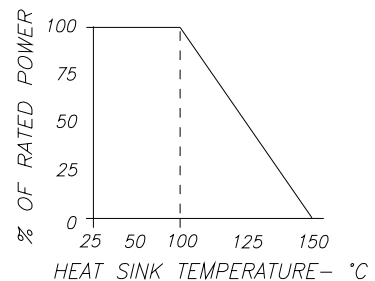


Dimensions in inches  
Tolerance  $\pm .010$   
unless otherwise stated

 Input terminals serve as mounting surface for heat transfer.



DERATING CURVE:



Parameter	Min.	Typ.	Max.	Units
Input Power			20	Watts
Resistance	98	100	102	Ohms
Mounting Surface Temperature			100	°C

Barry Industries reserves the right to change part number and or process without notification.

Barry Industries, Inc., 60 Walton St., Attleboro, MA 02703 T: 508-226-3350 F: 508-226-3317 E-mail: ABSales@Vishay.com

Barry Industries maintains an ISO 9001 Certified Quality Management System

Origination Date	Revision Date	Rev.
05/14/08	05/14/08	-